

PROJECT NAME

RICHARD & KIM  
 MARKHAM

TAMPA, FL

CONSULTANT

SHEET TITLE

GROUND FLOOR PLAN  
 FOUNDATION PLAN  
 FOUNDATION DETAIL  
 COLUMN SCHEDULE

SEAL

DATE

SEPT 18, 2000

REVISIONS

SHEET NO.

**A-1**  
 2 OF 9

**COLUMN SCHEDULE**

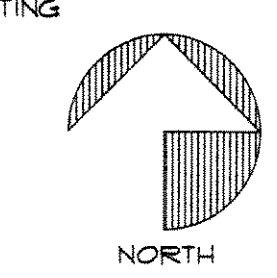
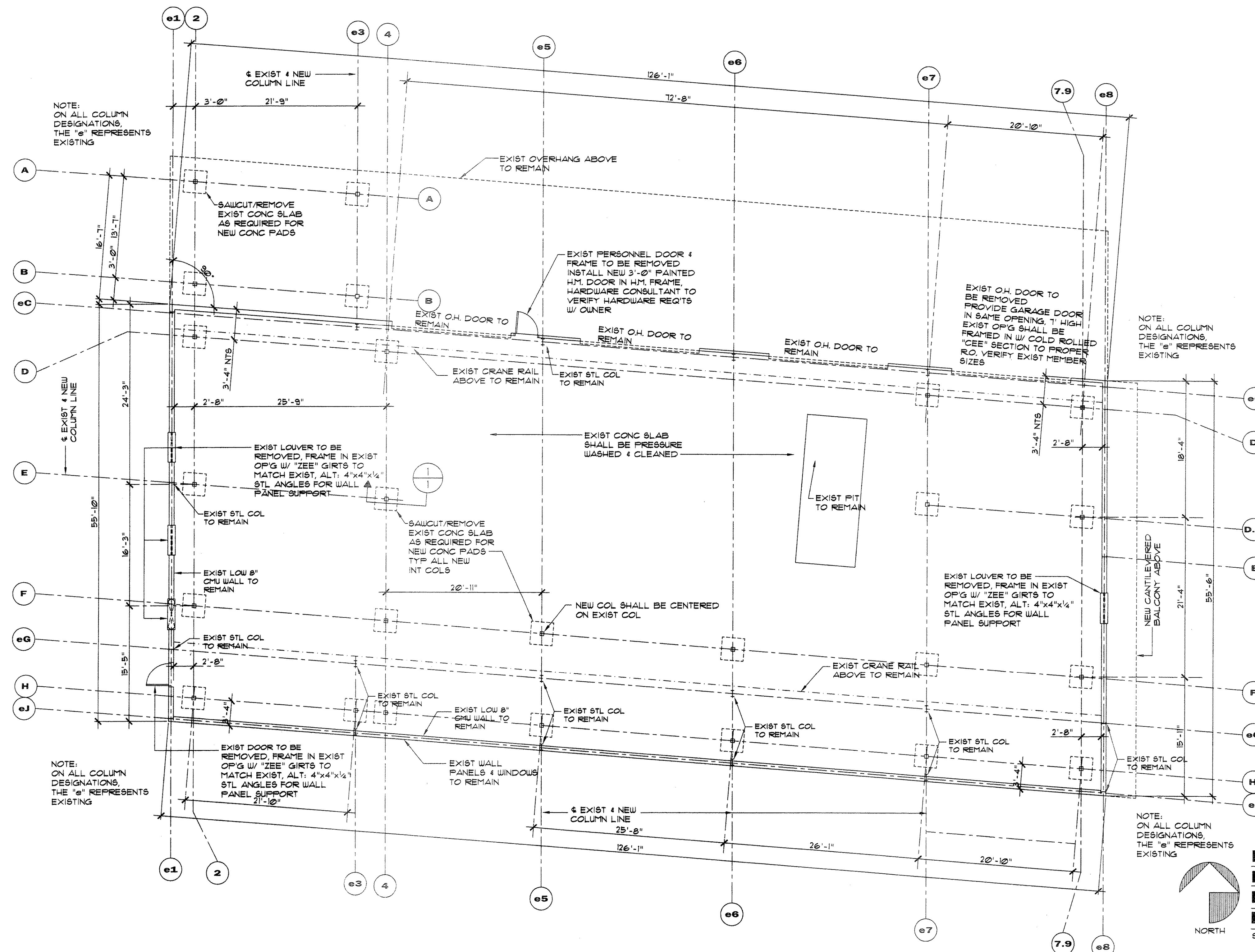
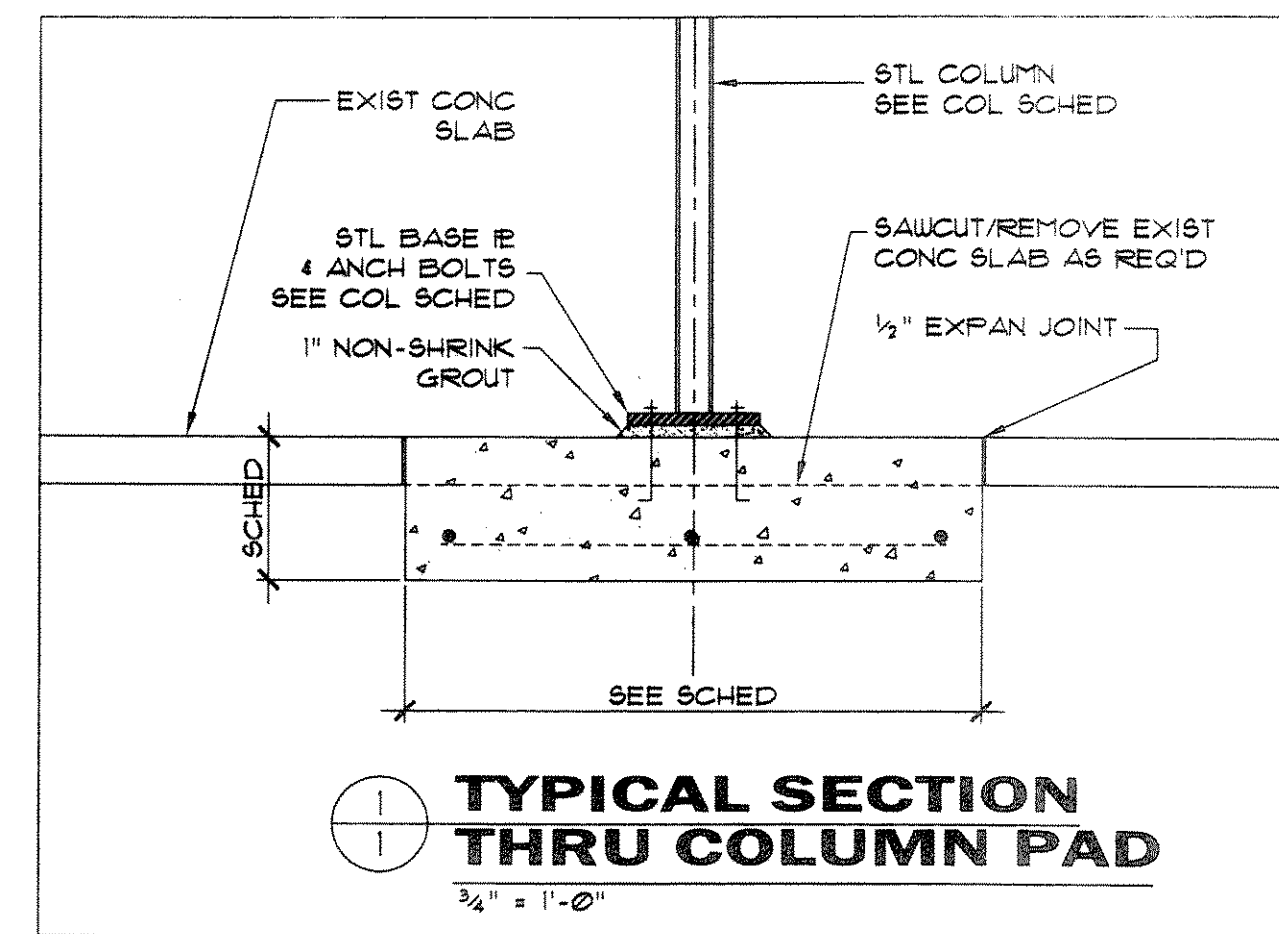
LOCATION	COLUMN	BASE IR	FOOTING
A-2 B-2 H-2 F-e6	A-e3 B-e3 F-e5	T8 3x3x 5/16"	8"x8"x1/2" w/ (4) 3/4" ANCH BOLTS 3'-0"x3'-0"x1'-0" w/ (3) 5/8 E.W.
D-1.9 D-4 F-2 H-e5 H-1.9	D-2 E-2 H-4 D-e7 H-e7	T8 3x3x 3/16"	8"x8"x3/8" w/ (4) 3/4" ANCH BOLTS 3'-6"x3'-6"x1'-0" w/ (3) 5/8 E.W.
D.9-1.9 F-1.9 H-e6 F-4	F-4	T8 3x3x 3/16"	8"x8"x3/8" w/ (4) 3/4" ANCH BOLTS 4'-0"x4'-0"x1'-0" w/ (4) 5/8 E.W.
F-e1 E-2	F-4	T8 3x3x 1/4"	8"x8"x3/8" w/ (4) 3/4" ANCH BOLTS 4'-0"x4'-0"x1'-0" w/ (4) 5/8 E.W.
D.9-e1	F-4	T8 3x3x 5/16"	8"x8"x3/8" w/ (4) 3/4" ANCH BOLTS 4'-6"x4'-6"x1'-0" w/ (4) 5/8 E.W.

**STRUCTURAL NOTES**

FLOOR LIVE LOAD: 40 PSF  
 PARTITION LOAD: 20 PSF  
 DESIGN CONCRETE STRENGTH IN 28 DAYS: 3000 PSI  
 STRUCTURAL STEEL: 36 KSI  
 STEEL COLUMNS: 46 KSI  
 ASSUMED SOIL BEARING PRESSURE: 2000 PSF

**GENERAL NOTES:**

- UNLESS OTHERWISE NOTED, DIMENSIONS ARE GIVEN TO FACE OF STUD, & FACE OF CMU, TYPICALLY.
- WHERE NEW CONSTRUCTION ABUTS EXIST. CONSTRUCTION THAT IS TO REMAIN, ALL ADJACENT MATERIALS & FINISHES SHALL BE REPAIRED & REFINISHED AS REQUIRED.
- WHERE EXISTING CEILING, WALLS & FLOORS HAVE BEEN DAMAGED DUE TO DEMOLITION & NEW CONSTRUCTION UNDER THIS CONTRACT, CONTR. SHALL REPAIR & REFINISH AS REQ'D. TO LIKE NEW FINISH.
- EXISTING CONDITIONS SHALL BE FIELD MEASURED/VERIFIED PRIOR TO CONSTRUCTION.



**EXISTING AND PROPOSED FIRST FLOOR PLAN FOUNDATION PLAN**  
 SCALE: 1/8" = 1'-0"

ISSUED FOR CONSTRUCTION